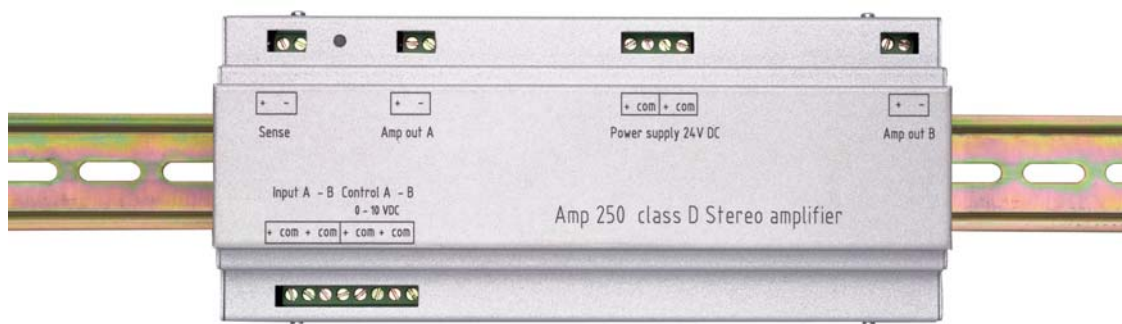


Manual AMP 250



Wilhelm Huber + Söhne
GmbH + Co.KG

Content

- General description
- Controls
- Terminals
- Technical Data
- Wiring example
- Dimensions

General description :

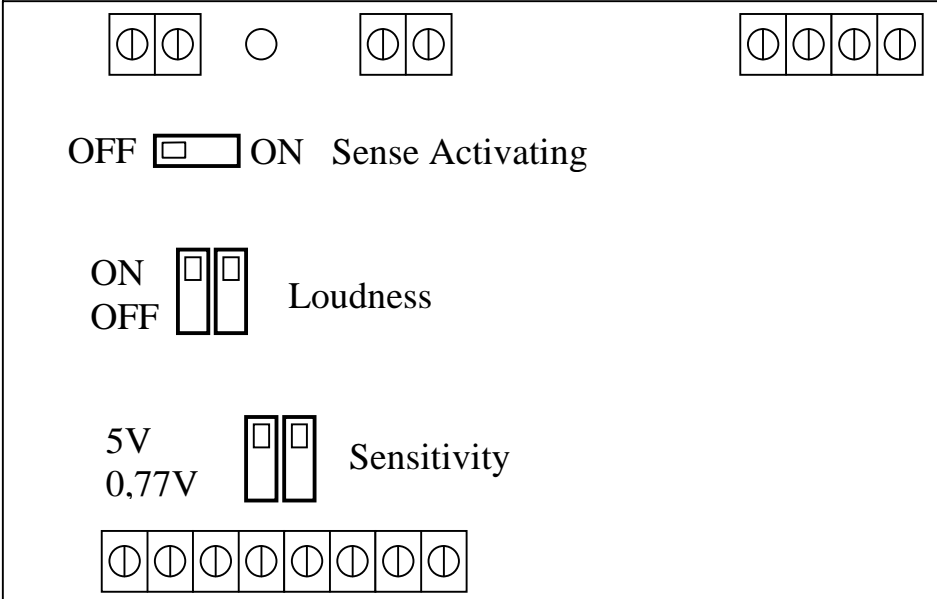
The AMP 250 is a two channel Class D Audio amplifier in a metal case , provided for DIN rail mounting.

A LED display situated at the front side shows the operating conditions of the amplifier.

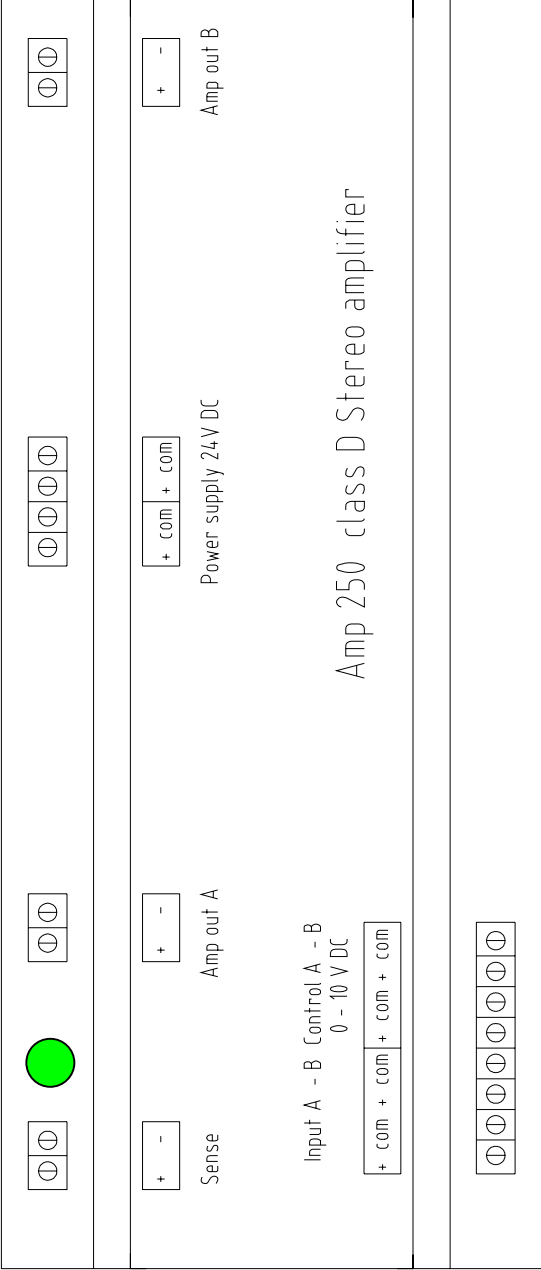
The amplifier can be used universally , but it's special design fits perfect to the other WHD Multiroom system components.

Controls :

After removing the cover , the following switches are accessible :



Terminals :



Note : The amplifier outputs are bridge outputs. Connection with other voltages or ground is not allowed !

LED display :

A LED display is situated besides the Sense- terminal.

It shows the following states :

- Dark : No supply voltage or reverse voltage
- Green : Normal conditions
- Red-green intermittent : Supply voltage out of range
- Red : Short circuit at an amplifier output
- Red intermittent : Excess temperature

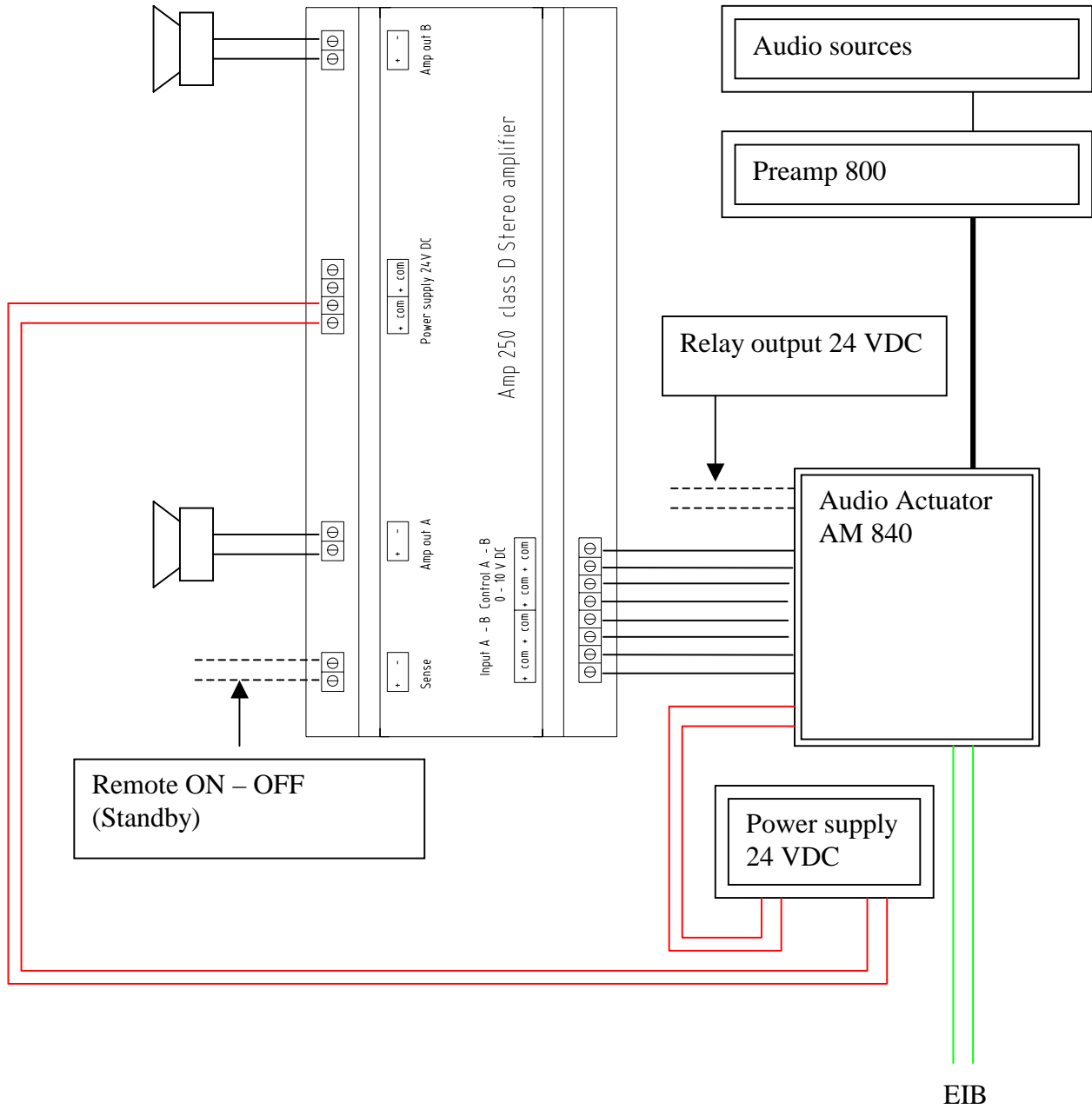
Technical Data :

Supply voltage :	22-26 VDC
Power consumption :	120 W max
Power consumption Mute :	0,3 W
Output power (channel) :	50W (1,5% dist.)
Minimum load :	4 Ohm
Input voltage Audio :	0,77 V or 5 V
Input impedance :	47 Kohm
Control voltage :	0 – 10 V DC
Input voltage Sense :	12 – 24 VDC
Input impedance Sense :	4,7 KOhm
Frequency range (- 1,5 dB) :	20 – 20000 Hz
Distortion :	0,15 % typ
Gain control range :	> 60 dB
Terminals :	screw type
Wire cross section :	1,5 mm ² max.
Operating temperature :	+5°C to +45°C
Storage temperature :	-25°C to +70°C
Case :	Metal
Dimensions :	208 x 91 x 60 mm
Weight :	0,7 Kg

Mounting and start-up should be done with specially trained personal. Ensure that the power supply is switched off before you connect the device. Changes and replacement of internal parts only by the manufacturer.

Manipulation without permission will terminate warranty!

Wiring example with AM 840



Dimensions :

